

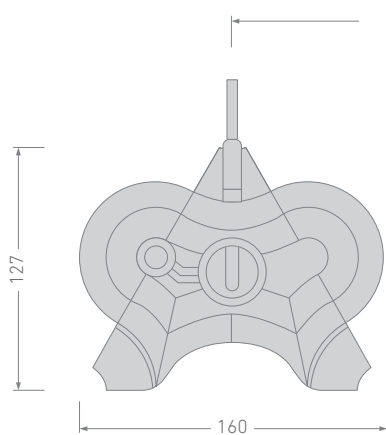
# Galli Cap

- ✓ Training, testing and teaching
  - ✓ Preclinical applications
  - ✓ Clinical applications
- ✓ Simplify your practice
  - Make it easier for patients management
  - Encourage the development of new radiopharmaceuticals

**Galli Cap** is an actuator which can be placed on the top of IRE ELiT's  $^{68}\text{Ge}/^{68}\text{Ga}$  generator and allows, thanks to its control box, the automatic remote activation of the on/off button, the counting and the display of the number of elutions carried out since the first use of the generator. It facilitates its handling and improves the radiation protection for users.



**Actuator**



**Control box**

Can be used with the control box or connected to Trasis synthesis modules.

### SPECIFICATIONS

- **Actuator weight:** 300 g
- **Control box weight:** 320 g
- **Cable length:** 2 m
- **Height of the generator + Galli Cap:** 250 mm
- **Power:** 4\* AA batteries

### INCLUDED SERVICE

Technical assistance

### PRACTICAL INFORMATION

- **Delivery time:** 8 weeks
- **Information:** radiopharmaceutical@ire-ELIT.eu